



Art. G031 TIS

FILTRO A "Y" PN10

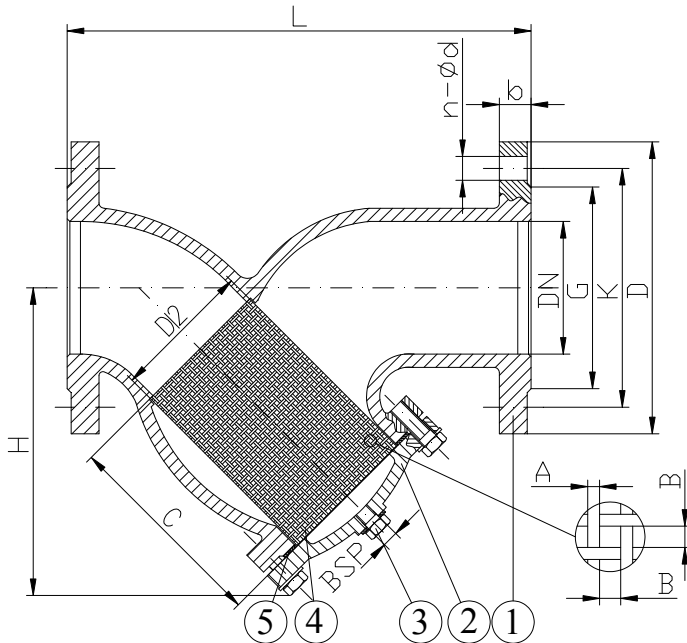
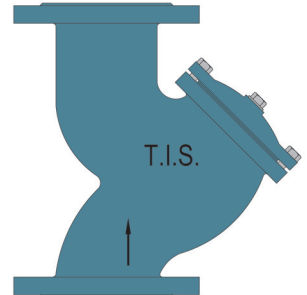
STRAINER "Y" TYPE PN10

APPLICAZIONE:

Installazione per acqua e fluidi non aggressivi.

APPLICATION:

Suitable for water and not acidic fluids installation.



SCARTAMENTO:

EN 558 Serie1

FLANGE:

EN 1092-2

COLLAUDI:

EN 12266

TEMP. ESERCIZIO:

Max. +120°C

FACE TO FACE:

EN 558 Series1

FLANGES:

EN 1092-2

TESTS:

EN 12266

WORKING TEMP.:

Max. +120°C

DENOMINAZIONE PART	MATERIALI MATERIALS
1 CORPO BODY	EN-GJL 250 EN-GJL 250
2 COPERCHIO COVER	EN-GJL 250 EN-GJL 250
3 SPINOTTO PLUG	ACCIAIO ZINCATO 4.8 GALVANIZED STEEL 4.8
4 FILTRO FILTER	ACC.INOX AISI 304 (EN 1.4301) SS AISI 304 (EN 1.4301)
5 GUARNIZIONE GASKET	GRAFITE GRAPHITE

COLORE: Blu RAL 5000.

COLOUR: Blue RAL 5000.

DN	15	20	25	32	40	50	65	80	100	125	150	200	250	300	350	400
L	130	150	160	180	200	230	290	310	350	400	480	600	730	850	980	1100
H	76	83	91	111	118	178	211	202	226	264	309	410	444	486	595	673
D	95	105	115	140	150	165	185	200	220	250	285	340	395	445	505	565
K	65	75	85	100	110	125	145	160	180	210	240	295	350	400	460	515
G	46	56	65	76	84	99	118	132	156	184	211	266	319	370	429	480
b	14	16	16	18	18	20	20	22	24	26	26	30	32	32	36	38
n-ød	4-14	4-14	4-14	4-19	4-19	4-19	4-19	8-19	8-19	8-19	8-23	8-23	12-23	12-23	16-23	16-28
A	0.5	0.5	0.5	0.5	0.5	0.5	0.9	0.9	0.9	0.9	0.9	0.9	0.9	0.9	0.9	0.9
B	1	1	1	1	1	1	1.6	1.6	1.6	1.6	1.6	2.4	2.4	2.4	2.4	2.4
BSP	-	-	1/2"	1/2"	1/2"	1/2"	1/2"	1/2"	1/2"	1/2"	1/2"	3/4"	3/4"	3/4"	1"	1"
C	58	64	69	89	99	134	168	143	155	197	235	317	325	385	495	563
D2	17	24	29	36	44	54	68	88	106	133	158	208	238	278	342	412
W (kg)	2.2	3.3	4.6	6	7.2	11.5	16.5	19	25	36	50	89	136	207	294	391

Art. G032 TIS

FILTRO A "Y" PN16

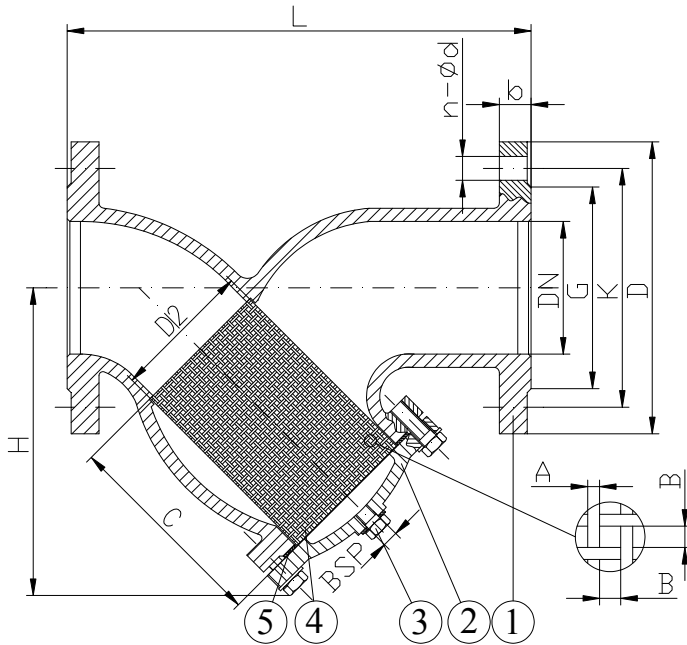
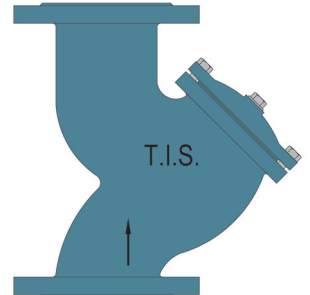
STRAINER "Y" TYPE PN16

APPLICAZIONE:

Installazione per acqua e fluidi non aggressivi.

APPLICATION:

Suitable for water and not acidic fluids installation.



SCARTAMENTO: EN 558 Serie1
FLANGE: EN 1092-2
COLLAUDI: EN 12266
TEMP. ESERCIZIO: Max. +120°C
FACE TO FACE: EN 558 Series1
FLANGES: EN 1092-2
TESTS: EN 12266
WORKING TEMP.: Max. +120°C

DENOMINAZIONE PART	MATERIALI MATERIALS
1 CORPO BODY	EN-GJL 250 EN-GJL 250
2 COPERCHIO COVER	EN-GJL 250 EN-GJL 250
3 SPINOTTO PLUG	ACCIAIO ZINCATO 4.8 GALVANIZED STEEL 4.8
4 FILTRO FILTER	ACC.INOX AISI 304 (EN 1.4301) SS AISI 304 (EN 1.4301)
5 GUARNIZIONE GASKET	GRAFITE GRAPHITE

COLORE: Blu RAL 5000.

COLOUR: Blue RAL 5000.

DN	15	20	25	32	40	50	65	80	100	125	150	200	250	300	350	400
L	130	150	160	180	200	230	290	310	350	400	480	600	730	850	980	1100
H	72	80	90	105	105	170	205	210	235	270	310	390	430	500	595	673
D	95	105	115	140	150	165	185	200	220	250	285	340	405	460	520	580
K	65	75	85	100	110	125	145	160	180	210	240	295	355	410	470	525
G	46	56	65	76	84	99	118	132	156	184	211	266	319	370	429	480
b	14	16	16	18	18	20	20	22	24	26	26	30	32	32	36	38
n-ød	4-14	4-14	4-14	4-19	4-19	4-19	4-19	8-19	8-19	8-19	8-23	12-23	12-28	12-28	16-28	16-31
A	0.5	0.5	0.5	0.5	0.5	0.5	0.9	0.9	0.9	0.9	0.9	0.9	0.9	0.9	0.9	0.9
B	1	1	1	1	1	1	1.6	1.6	1.6	1.6	1.6	2.4	2.4	2.4	2.4	2.4
BSP	-	-	1/2"	1/2"	1/2"	1/2"	1/2"	1/2"	1/2"	1/2"	1/2"	3/4"	3/4"	3/4"	1"	1"
C	58	64	69	89	99	134	168	143	155	197	235	317	325	385	495	563
D2	17	24	29	36	44	54	68	88	106	133	158	208	238	278	342	412
W (kg)	2.2	3.3	4.6	6	7.2	11.5	16.5	19	25	36	50	89	136	207	294	391

Art. G032 TIS EP

FILTRO A "Y" EP PN16

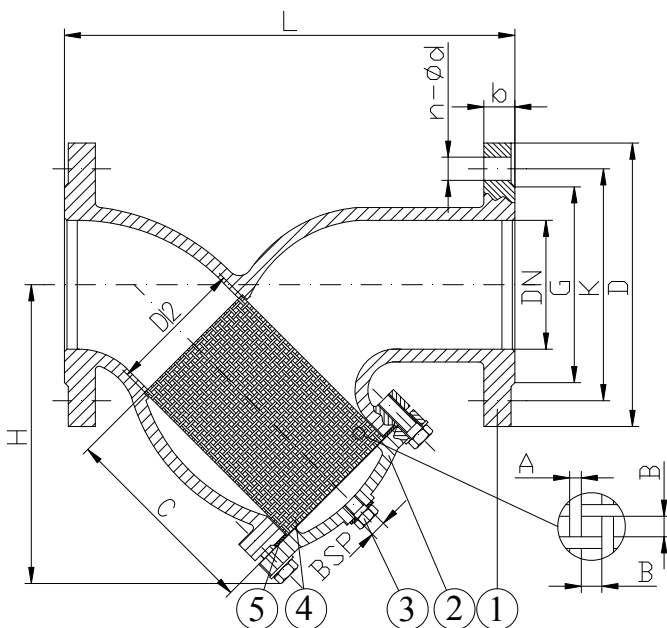
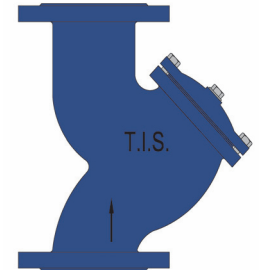
STRAINER "Y" EP TYPE PN16

APPLICAZIONE:

Protezione da impurità presenti negli impianti di trattamento e distribuzione acqua potabile.

APPLICATION:

Protection from impurity in drinking water treatment and distribution network.



SCARTAMENTO:	EN 558 Serie1
FLANGE:	EN 1092-2
COLLAUDI:	EN 12266
TEMP. ESERCIZIO:	Max. +90°C
FACE TO FACE:	EN 558 Series1
FLANGES:	EN 1092-2
TESTS:	EN 12266
WORKING TEMP.:	Max. +90°C

DENOMINAZIONE PART	MATERIALI MATERIALS
1 CORPO BODY	EN-GJL 250 EN-GJL 250
2 COPERCHIO COVER	EN-GJL 250 EN-GJL 250
3 SPINOTTO PLUG	ACCIAIO ZINCATO 4.8 GALVANIZED STEEL 4.8
4 FILTRO FILTER	ACC.INOX AISI 304 (EN 1.4301) SS AISI 304 (EN 1.4301)
5 GUARNIZIONE GASKET	GRAFITE GRAPHITE

RIVESTIMENTO ESTERNO/INTERNO: Polvere epossidica di colore blu RAL 5017 con spessore 150µm.

SURFACE PROTECTION: FBE coating process with epoxy resin powder of blue colour RAL 5017 and thickness of 150µm.

DN	15	20	25	32	40	50	65	80	100	125	150	200	250	300	350	400
L	130	150	160	180	200	230	290	310	350	400	480	600	730	850	980	1100
H	72	80	90	105	105	170	205	210	235	270	310	390	430	500	595	673
D	95	105	115	140	150	165	185	200	220	250	285	340	405	460	520	580
K	65	75	85	100	110	125	145	160	180	210	240	295	355	410	470	525
G	46	56	65	76	84	99	118	132	156	184	211	266	319	370	429	480
b	14	16	16	18	18	20	20	22	24	26	26	30	32	32	36	38
n-ød	4-14	4-14	4-14	4-19	4-19	4-19	4-19	8-19	8-19	8-19	8-23	12-23	12-28	12-28	16-28	16-31
A	0.5	0.5	0.5	0.5	0.5	0.5	0.9	0.9	0.9	0.9	0.9	0.9	0.9	0.9	0.9	0.9
B	1	1	1	1	1	1	1.6	1.6	1.6	1.6	1.6	2.4	2.4	2.4	2.4	2.4
BSP	-	-	1/2"	1/2"	1/2"	1/2"	1/2"	1/2"	1/2"	1/2"	1/2"	3/4"	3/4"	3/4"	1"	1"
C	58	64	69	89	99	134	168	143	155	197	235	317	325	385	495	563
D2	17	24	29	36	44	54	68	88	106	133	158	208	238	278	342	412
W (kg)	2.2	3.3	4.6	6	7.2	11.5	16.5	19	25	36	50	89	136	207	294	391