

Art. 036020 TIS4

COLLARE DI DERIVAZIONE MODELLO "MANICOTTO" CON USCITA FILETTATA, PN16

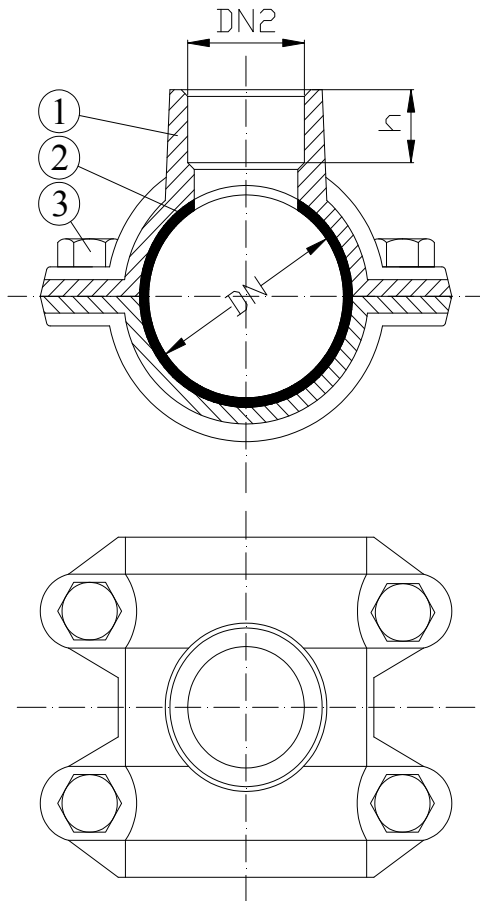
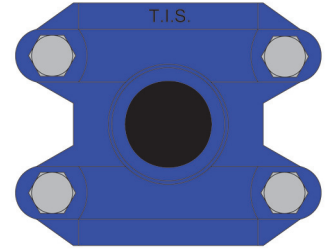
SADDLE FOR PE-PIPES WITH THREADED OUTLET, PN16

APPLICAZIONE:

Collare di derivazione per tubazioni in polietilene / PVC.

APPLICATION:

Saddle for polyethylene/PVC pipes.



USCITA: Filettatura GAS Femmina EN10226-1
OUTLET: GAS Female Threaded EN10226-1

DENOMINAZIONE PART	MATERIALI MATERIALS
1 CORPO BODY	EN GJS 400-15 EN GJS 400-15
2 GUARNIZIONE GASKET	GOMMA EPDM EPDM RUBBER
3 BULLONI E RONDELLE BOLTS AND WASHERS	ACCIAIO INOX A2-70 STAINLESS STEEL A2-70

RIVESTIMENTO ESTERNO/INTERNO: Polvere epossidica di colore BLU RAL 5015 con spessore 250µm.

SURFACE PROTECTION: FBE coating process with epoxy resin powder of blue colour RAL 5015 and thickness of 250µm.

DN - DN2	h [mm]
Da 50 x 1" a 110 x 2" From 50 x 1" to 110 x 2"	12
Da 125 x 1" a 160 x 2" From 125 x 1" to 160 x 2"	13
200 x 1"-1/4 e 200 x 2" 200 x 1"-1/4 and 200 x 2"	14

DN	50	63	63	63	63	75	75	75	75	90	90	90	90	110	110	110
DN2	1"	1"	1"1/4	1"1/2	2"	1"	1"1/4	1"1/2	2"	1"	1"1/4	1"1/2	2"	1"	1"1/4	1"1/2
Peso/Weight	1.33	2.00	1.97	1.95	1.93	2.29	2.26	2.24	2.22	2.40	2.37	2.48	2.33	3.73	3.70	3.65

DN	110	125	125	125	125	140	140	140	140	160	160	160	160	180	200	200	200
DN2	2"	1"	1"1/4	1"1/2	2"	1"	1"1/4	1"1/2	2"	1"	1"1/4	1"1/2	2"	2"	1"	1"1/4	2"
Peso/Weight	3.46	4.66	4.55	4.49	4.43	5.75	5.73	5.61	5.57	6.11	6.01	5.89	5.73	7.30	9.70	9.65	9.60