

Art. A048 TIS

VALVOLA DI DERIVAZIONE DIRITTA PN16

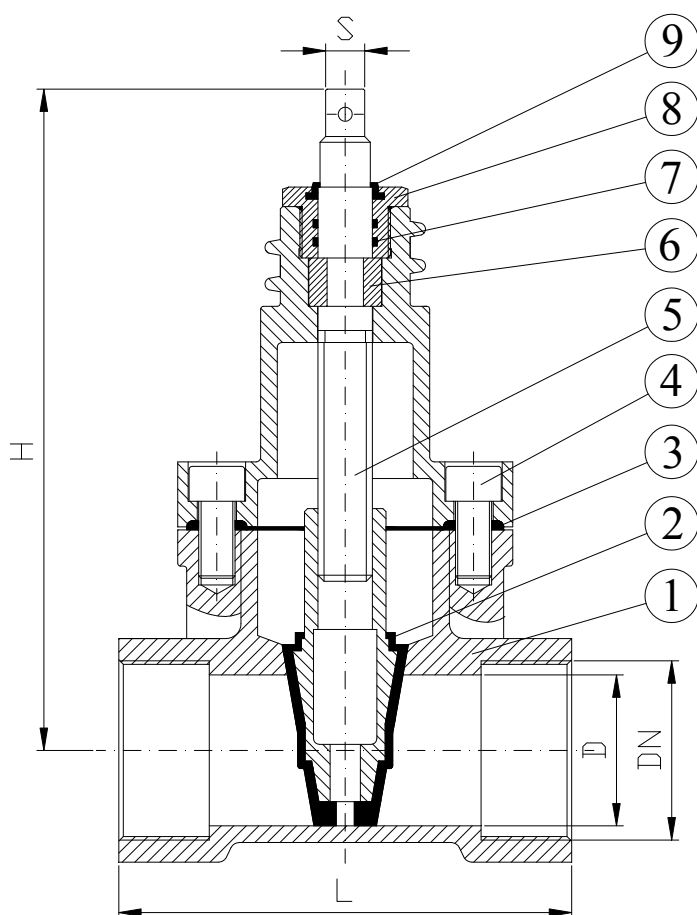
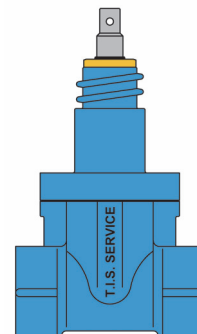
SERVICE VALVE, STRAIGHT TYPE, PN16

APPLICAZIONE:

Per utenza acquedotto, distribuzione acqua potabile.

APPLICATION:

For water service line, drinkable water distribution.



| | |
|-----------------------------|---------------------------|
| NORMA PROGETTO: | EN 1171 |
| FILETTATURA FEMMINA: | GAS CILINDRICA EN 10226-1 |
| COLLAUDI: | EN 12266-1 |
| TEMP. ESERCIZIO: | Max. +60°C |

| | |
|-------------------------|----------------------------|
| DESIGN STANDARD: | EN 1171 |
| FEMALE THREADED: | GAS CILINDRICAL EN 10226-1 |
| TESTS: | EN 12266-1 |
| WORKING TEMP: | Max. +60°C |

| PART | DENOMINAZIONE MATERIALI | MATERIALS |
|----------------------------|--|-----------|
| 1 CORPO BODY | EN-GJS400-15 EN-GJS400-15 | |
| 2 CUNEO WEDGE | OTTONE + EPDM BRASS + EPDM | |
| 3 GUARNIZIONE GASKET | EPDM EPDM | |
| 4 VITE BOLT | ACCIAIO ZINCATO GALVANIZED STEEL | |
| 5 ASSE STEM | ACC.INOX AISI 410 (EN 1.4006) SS AISI 410 (EN 1.4006) | |
| 6 ANELLO BUSH | OTTONE BRASS | |
| 7 O-RING O-RING | EPDM EPDM | |
| 8 BOCCOLA LOCK NUT | OTTONE BRASS | |
| 9 PARAPOLVERE DUSTPROOF | EPDM EPDM | |

| DN | L | D | H | S | W(kg) |
|--------|-----|----|-----|----|-------|
| 3/4" | 122 | 20 | 175 | 14 | 3.5 |
| 1" | 127 | 25 | 185 | 14 | 4 |
| 1 1/4" | 127 | 32 | 190 | 14 | 4.5 |
| 1 1/2" | 154 | 36 | 235 | 14 | 5 |
| 2" | 154 | 41 | 242 | 14 | 5.5 |

RIVESTIMENTO ESTERNO/INTERNO: Polvere epossidica di colore blu RAL5017 con spessore 250µm.

SURFACE PROTECTION: Coating process with epoxy resin powder of blue colour RAL5017 and thickness of 250µm.

Art. A046 TIS

VALVOLA DI DERIVAZIONE A SQUADRA PN16

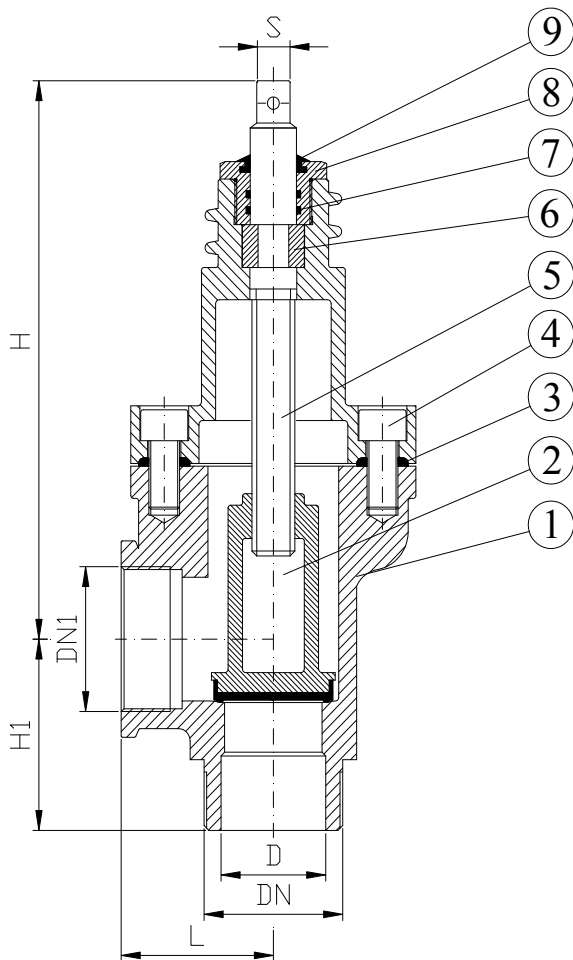
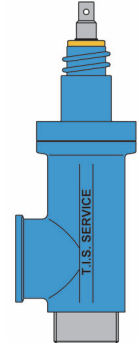
SERVICE VALVE, T-TYPE, PN16

APPLICAZIONE:

Per utenza acquedotto, distribuzione acqua potabile.

APPLICATION:

For water service line, drinkable water distribution.



| | |
|-----------------------------|---------------------------|
| NORMA PROGETTO: | EN 1171 |
| FILETTATURA MASCHIO: | GAS CONICA EN 10226-1 |
| FILETTATURA FEMMINA: | GAS CILINDRICA EN 10226-1 |
| COLLAUDI: | EN 12266-1 |
| TEMP. ESERCIZIO: | Max. + 60°C |
| DESIGN STANDARD: | EN 1171 |
| MALE THREADED: | GAS CONICAL EN 10226-1 |
| FEMALE THREADED: | GASCILINDRICAL EN 10226-1 |
| TESTS: | EN 12266-1 |
| WORKING TEMP: | Max. + 60°C |

| DENOMINAZIONE PART | MATERIALI MATERIALS |
|-----------------------|------------------------|
|-----------------------|------------------------|

| | | |
|----------|----------------------------------|--|
| 1 | CORPO BODY | EN-GJS400-15 EN-GJS400-15 |
| 2 | OTTURATORE OBTURATOR | OTTONE + EPDM BRASS + EPDM |
| 3 | GUARNIZIONE GASKET | EPDM EPDM |
| 4 | VITE BOLT | ACCIAIO ZINCATO GALVANIZED STEEL |
| 5 | ASSE STEM | ACC.INOX AISI 410 (EN 1.4006) SS AISI 410 (EN 1.4006) |
| 6 | ANELLO BUSH | OTTONE BRASS |
| 7 | O-RING O-RING | EPDM EPDM |
| 8 | BOCCOLA LOCK NUT | OTTONE BRASS |
| 9 | PARAPOLVERE DUSTPROOF | EPDM EPDM |

RIVESTIMENTO ESTERNO/INTERNO: Polvere epossidica di colore blu RAL5017 con spessore 250µm.

SURFACE PROTECTION: Coating process with epoxy resin powder of blue colour RAL5017 and thickness of 250µm.

| DN | DN1 | L | D | H | H1 | S | W(kg) |
|--------|--------|----|----|-----|----|----|-------|
| 1" | 1/4" | 47 | 25 | 170 | 65 | 14 | 2.8 |
| 1" | 1" | 47 | 25 | 170 | 65 | 14 | 2.8 |
| 1 1/4" | 1" | 47 | 32 | 185 | 65 | 14 | 2.8 |
| 1 1/4" | 1 1/4" | 60 | 32 | 185 | 65 | 14 | 2.8 |
| 1 1/2" | 1 1/2" | 60 | 36 | 198 | 77 | 14 | 5 |
| 2" | 1/2" | 64 | 41 | 198 | 77 | 14 | 5 |
| 2" | 1 1/2" | 64 | 41 | 198 | 77 | 14 | 5 |
| 2" | 2" | 64 | 41 | 198 | 77 | 14 | 5 |