

VALVOLA IN POLIETILENE
POLYETHYLENE VALVES

Art. 074040 gas

Art. 074042 acqua

VALVOLE IN POLIETILENE, PE100
POLYETHYLENE VALVES, PE100

APPLICAZIONE:

Reti acqua e gas

APPLICATION:

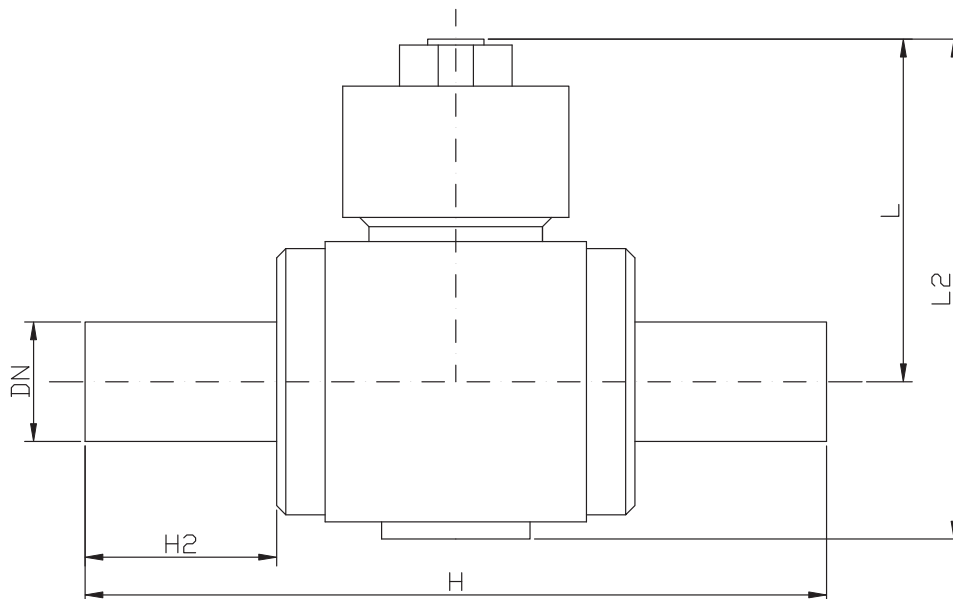
For water and gas networks

NORME PRODOTTO: UNI EN 1555-4-7

PRODUCT STANDARDS: UNI EN 1555-4-7

PRESSIONE DI ESERCIZIO MAX:Acqua 16 bar
Gas 5 bar

MAX WORKING PRESSURE:Water 16 bar
Gas 5 bar



DN	20	25	32	40	50	63	75	90	110	125	160	180	200	225
L	264	264	268	268	327	327	327	327	405	405	540	540	540	920
L2	68	68	75	75	92	92	92	92	112	112	123	123	123	350
H	127	127	127	127	231	231	231	231	290	290	363	363	363	472
H2	78	78	78	78	164	164	164	164	205	205	263	263	263	320