

FILRO A "Y"
STRAINER "Y" TYPE

Art. G032 T

FILTRO A "Y" PN16

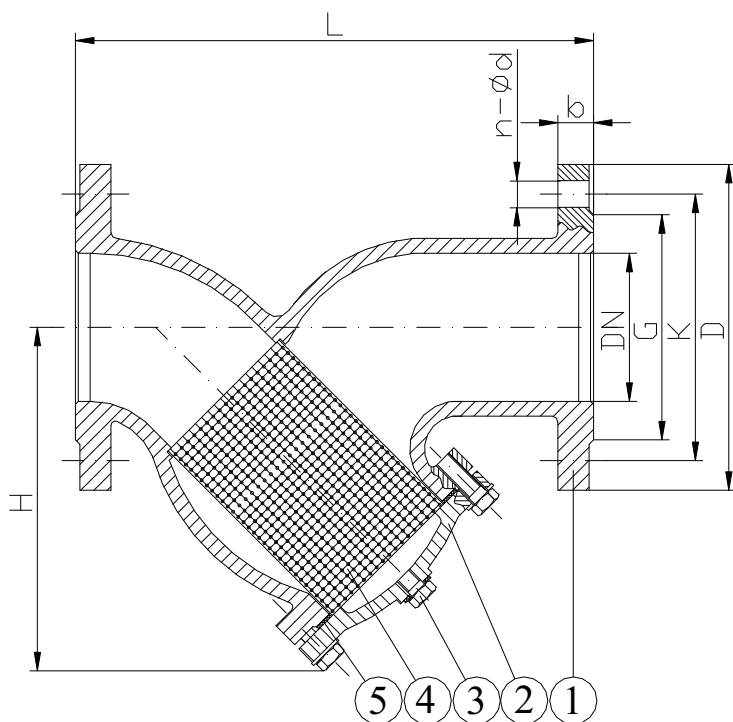
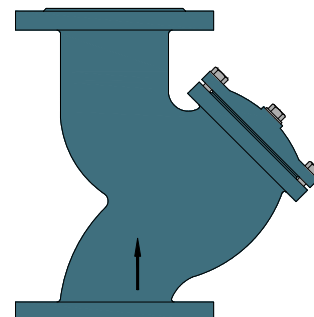
STRAINER "Y" TYPE PN16

APPLICAZIONE:

Installazione per acqua, vapore e fluidi non aggressivi.

APPLICATION:

Suitable for water installation and not acidic fluids installation.



NORMA PROGETTO: EN 1074-1
EN 1074-5
SCARTAMENTO: EN 558-1
FLANGE: EN 1092-2
COLLAUDI: EN 12266
TEMPERATURA ESER: Max + 120°C
DESIGN STANDARD: EN 1074-1
EN 1074-5
FACE TO FACE: EN 558-1
FLANGES: EN 1092-2
TESTS: EN 12266
WORKING TEMP: Max +120°C

DENOMINAZIONE PART	MATERIALI MATERIALS
1 CORPO BODY	GJL 250 GJL 250
2 COPERCHIO COVER	GJL 250 GJL 250
3 SPINOTTO PLUG	ACCIAIO STEEL
4 FILTRO FILTER	ACCIAIO INOX STAINLESS STEEL
5 GUARNIZIONE GASKET	GRAFITE GRAPHITE

COLORE: Blu RAL 5000.

COLOUR: Blue RAL 5000.

DN	15	20	25	32	40	50	65	80	100	125	150	200	250	300
L	130	150	160	180	200	230	290	310	350	400	480	600	730	850
H	72	80	90	105	105	170	205	210	235	270	310	390	430	500
D	95	105	115	140	150	165	185	200	220	250	285	340	405	460
K	65	75	85	100	110	125	145	160	180	210	240	295	355	410
G	47	58	68	78	88	102	122	138	158	188	212	268	320	378
b	14	16	16	18	18	20	20	22	24	26	26	30	32	32
n-ød	4-ø14	4-ø14	4-ø14	4-ø19	4-ø19	4-ø19	4-ø19	8-ø19	8-ø19	8-ø19	8-ø23	12-ø23	12-ø23	12-ø28
W (kg)	2.2	3.3	4.6	6	7.2	11.5	16.5	18.9	24.7	36.1	50.2	88.8	135.8	206.7